

William Stallings
Computer Organization
and Architecture
8th Edition

Chapter 11
Instruction Sets:
Addressing Modes and Formats

Addressing Modes

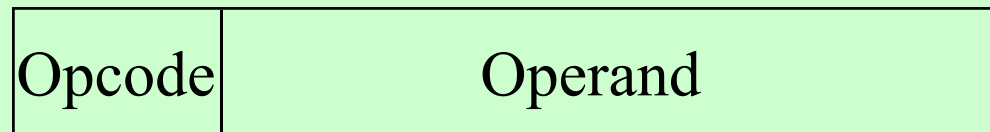
- Immediate
- Direct
- Indirect
- Register
- Register Indirect
- Displacement (Indexed)
- Stack

Immediate Addressing

- Operand is part of instruction
- Operand = address field
- e.g. ADD 5
 - Add 5 to contents of accumulator
 - 5 is operand
- No memory reference to fetch data
- Fast
- Limited range

Immediate Addressing Diagram

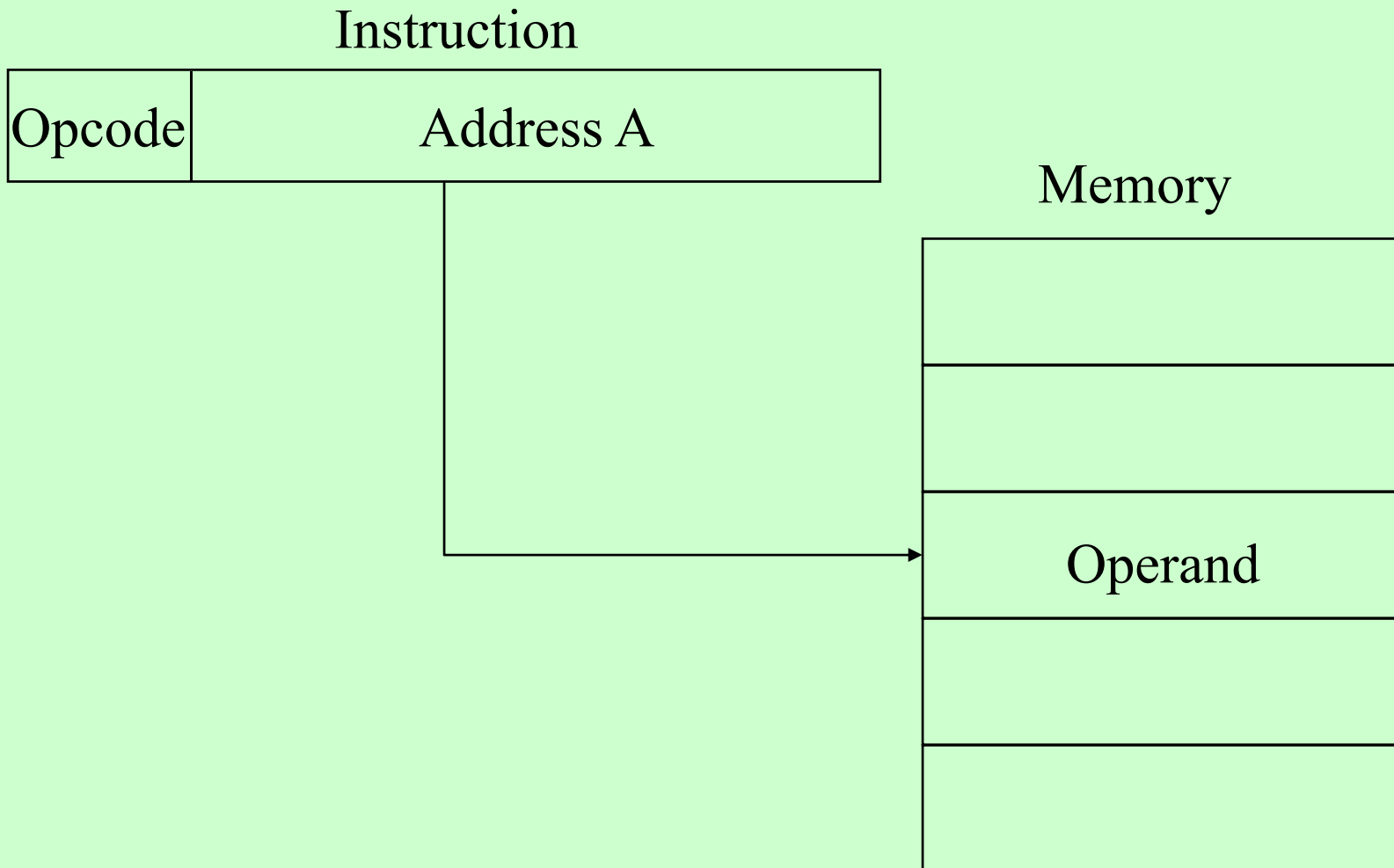
Instruction



Direct Addressing

- Address field contains address of operand
- Effective address (EA) = address field (A)
- e.g. ADD A
 - Add contents of cell A to accumulator
 - Look in memory at address A for operand
- Single memory reference to access data
- No additional calculations to work out effective address
- Limited address space

Direct Addressing Diagram



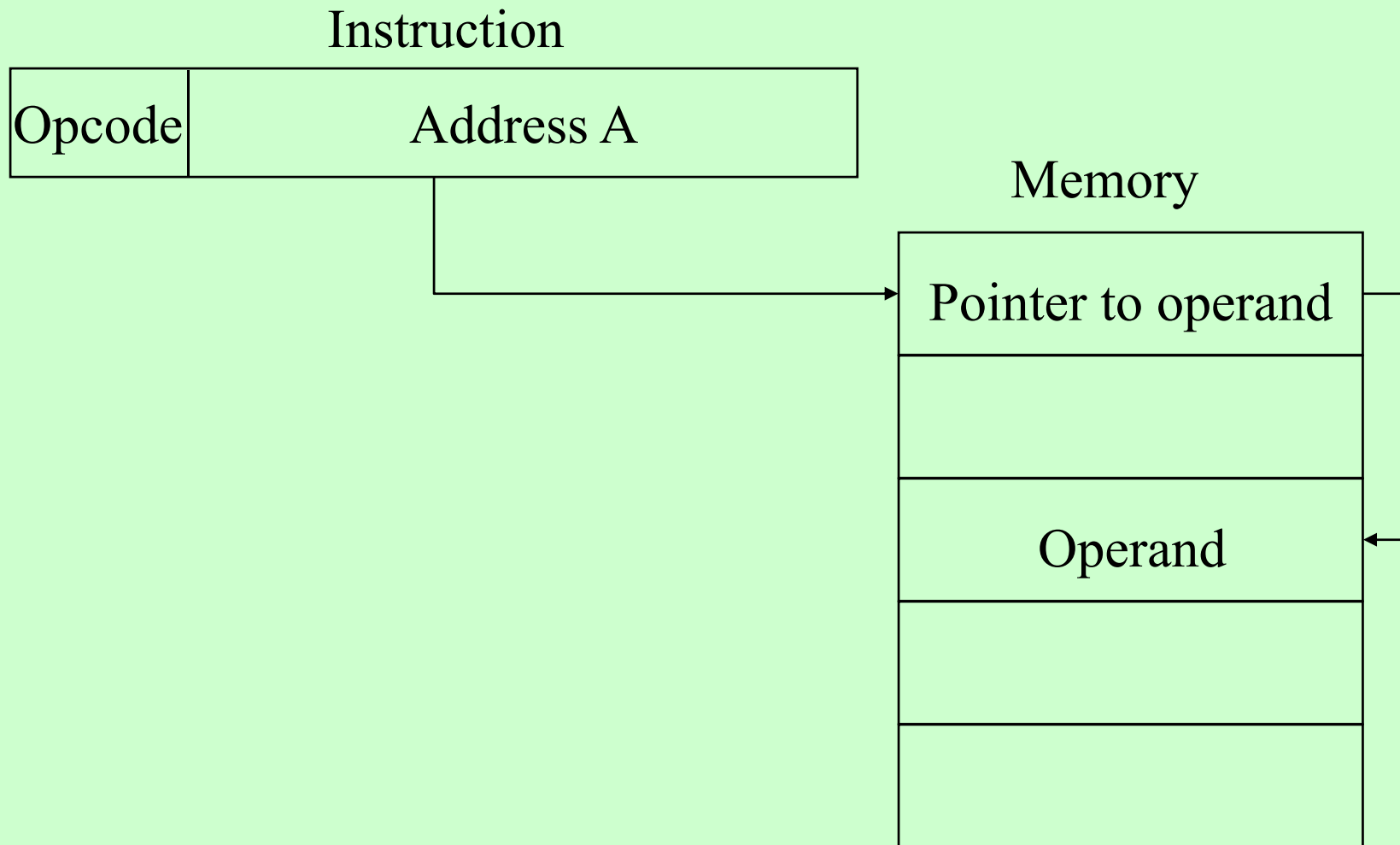
Indirect Addressing (1)

- Memory cell pointed to by address field contains the address of (pointer to) the operand
- $EA = (A)$
 - Look in A, find address (A) and look there for operand
- e.g. ADD (A)
 - Add contents of cell pointed to by contents of A to accumulator

Indirect Addressing (2)

- Large address space
- 2^n where n = word length
- May be nested, multilevel, cascaded
 - e.g. $EA = (((A)))$
 - Draw the diagram yourself
- Multiple memory accesses to find operand
- Hence slower

Indirect Addressing Diagram



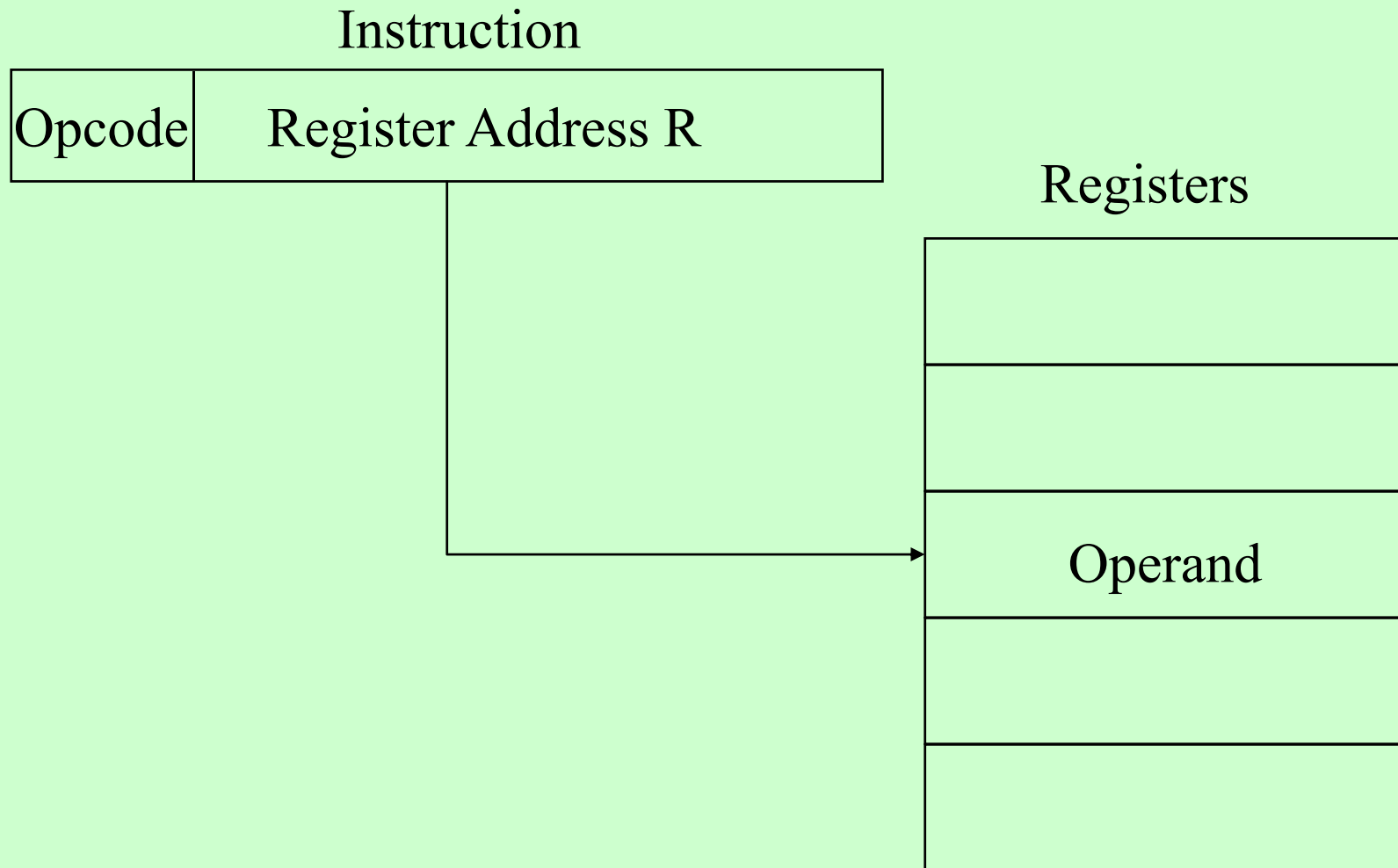
Register Addressing (1)

- Operand is held in register named in address field
- $EA = R$
- Limited number of registers
- Very small address field needed
 - Shorter instructions
 - Faster instruction fetch

Register Addressing (2)

- No memory access
- Very fast execution
- Very limited address space
- Multiple registers helps performance
 - Requires good assembly programming or compiler writing
 - N.B. C programming
 - register int a;
- c.f. Direct addressing

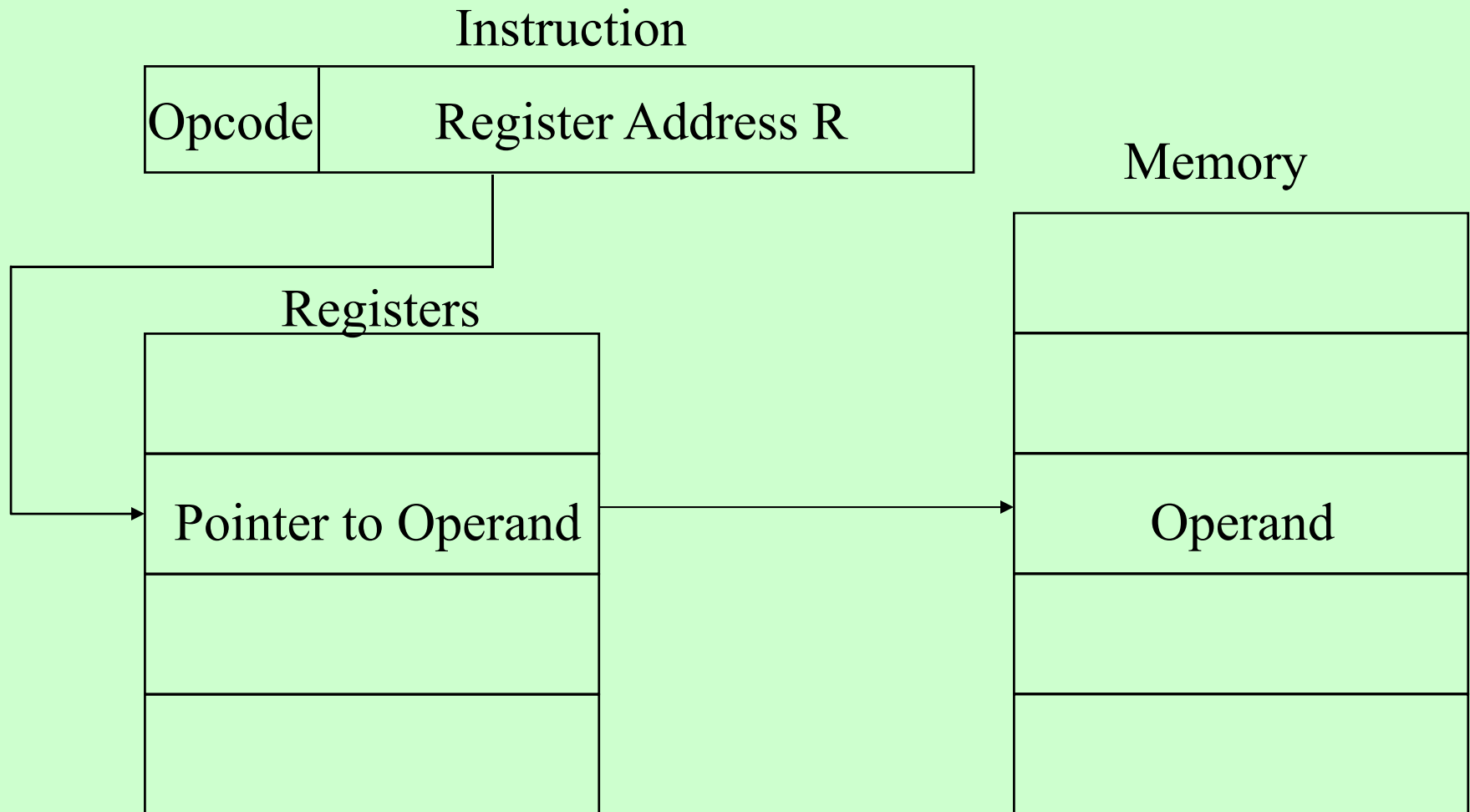
Register Addressing Diagram



Register Indirect Addressing

- C.f. indirect addressing
- $EA = (R)$
- Operand is in memory cell pointed to by contents of register R
- Large address space (2^n)
- One fewer memory access than indirect addressing

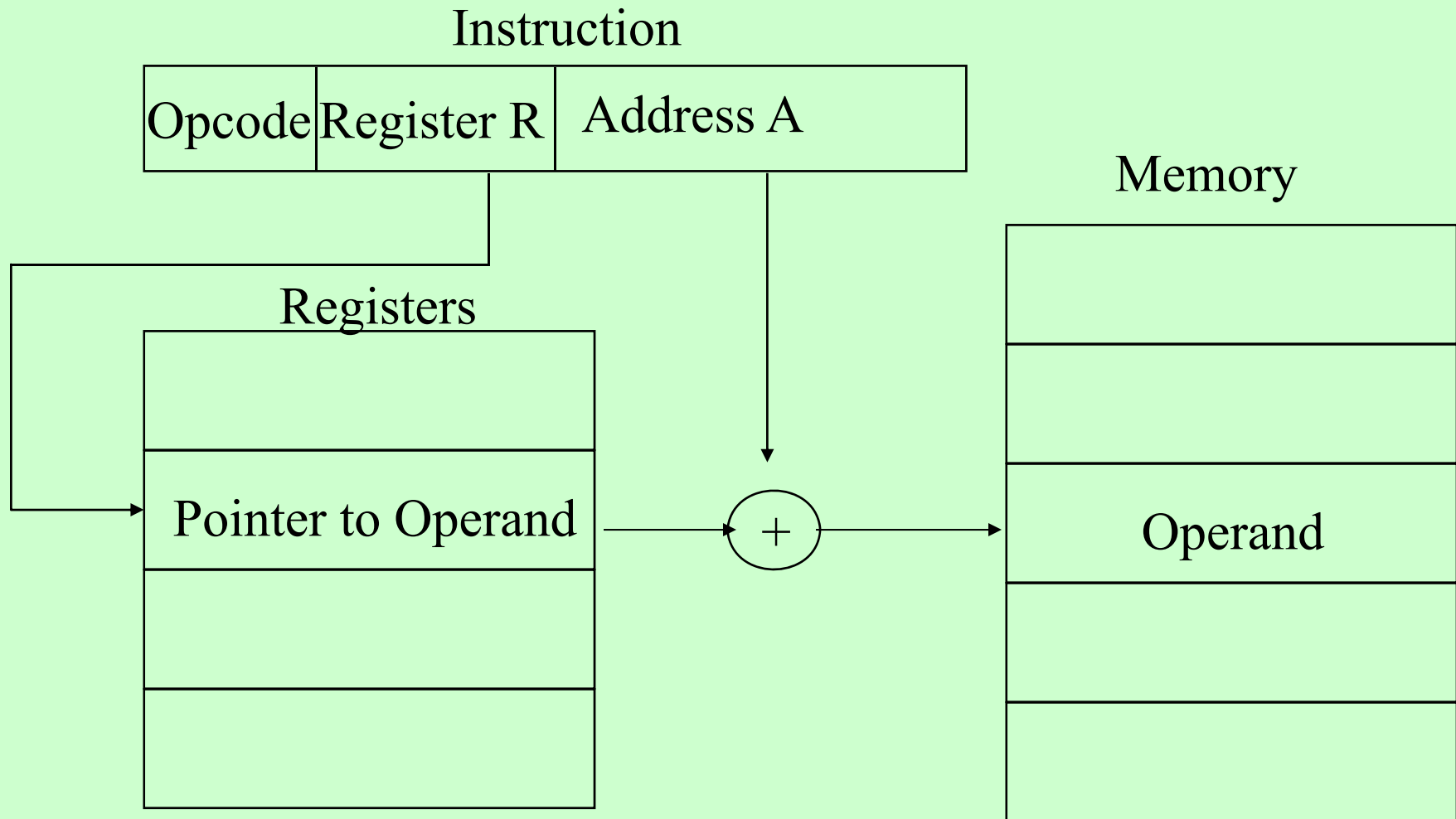
Register Indirect Addressing Diagram



Displacement Addressing

- $EA = A + (R)$
- Address field hold two values
 - A = base value
 - R = register that holds displacement
 - or vice versa

Displacement Addressing Diagram



Relative Addressing

- A version of displacement addressing
- R = Program counter, PC
- $EA = A + (PC)$
- i.e. get operand from A cells from current location pointed to by PC
- c.f locality of reference & cache usage

Base-Register Addressing

- A holds displacement
- R holds pointer to base address
- R may be explicit or implicit
- e.g. segment registers in 80x86

Indexed Addressing

- $A = \text{base}$
- $R = \text{displacement}$
- $EA = A + R$
- Good for accessing arrays
 - $EA = A + R$
 - $R++$

Combinations

- Postindex
- $EA = (A) + (R)$

- Preindex
- $EA = (A + (R))$

- (Draw the diagrams)

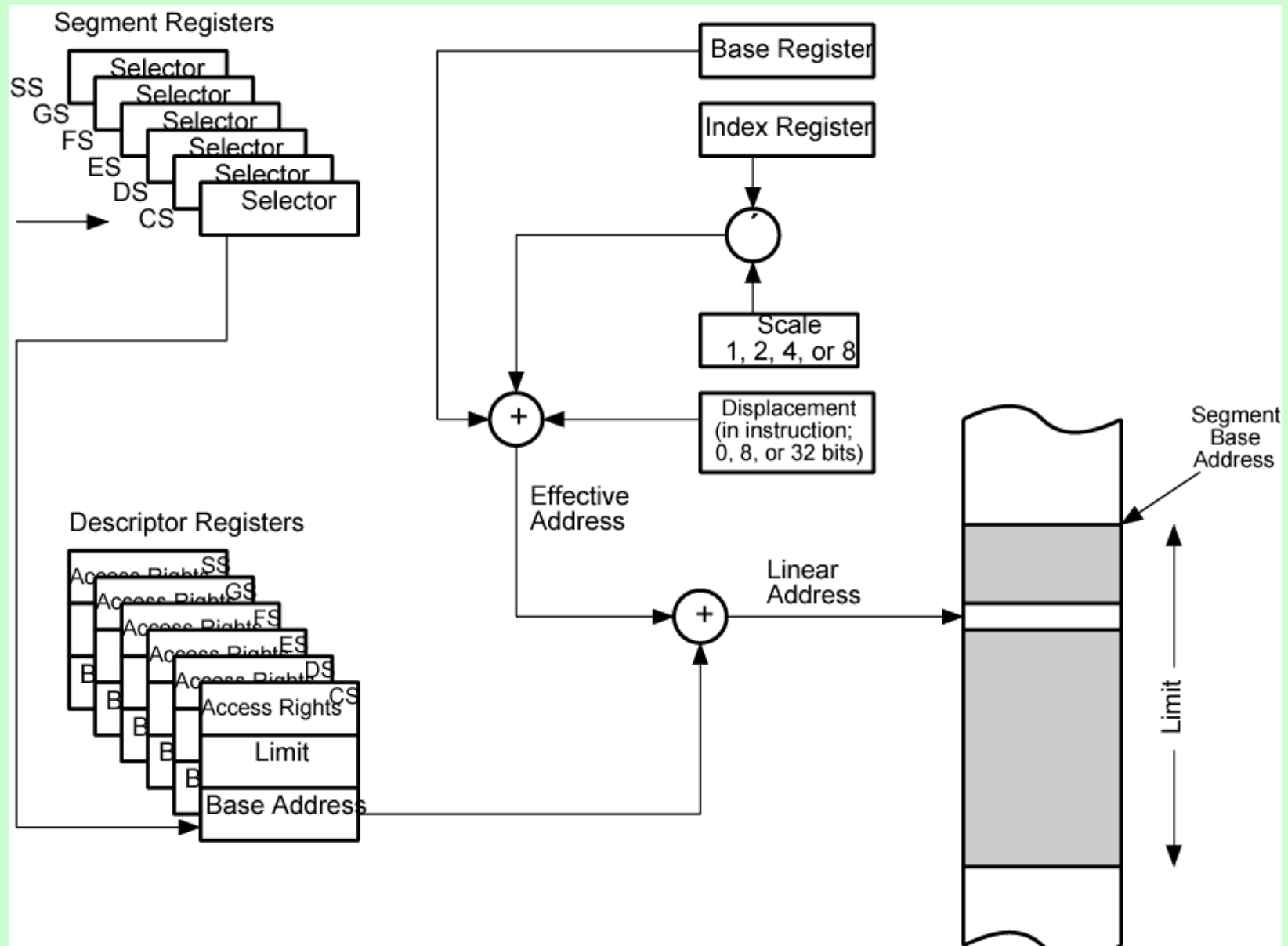
Stack Addressing

- Operand is (implicitly) on top of stack
- e.g.
 - ADD Pop top two items from stack and add

x86 Addressing Modes

- Virtual or effective address is offset into segment
 - Starting address plus offset gives linear address
 - This goes through page translation if paging enabled
- 12 addressing modes available
 - Immediate
 - Register operand
 - Displacement
 - Base
 - Base with displacement
 - Scaled index with displacement
 - Base with index and displacement
 - Base scaled index with displacement
 - Relative

x86 Addressing Mode Calculation



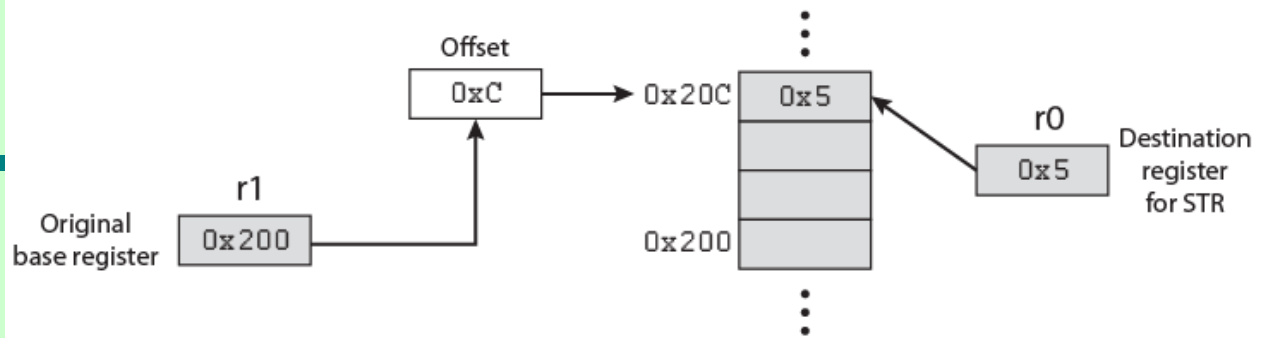
ARM Addressing Modes

Load/Store

- Only instructions that reference memory
- Indirectly through base register plus offset
- Offset
 - Offset added to or subtracted from base register contents to form the memory address
- Preindex
 - Memory address is formed as for offset addressing
 - Memory address also written back to base register
 - So base register value incremented or decremented by offset value
- Postindex
 - Memory address is base register value
 - Offset added or subtracted
 - Result written back to base register
- Base register acts as index register for preindex and postindex addressing
- Offset either immediate value in instruction or another register
- If register scaled register addressing available
 - Offset register value scaled by shift operator
 - Instruction specifies shift size

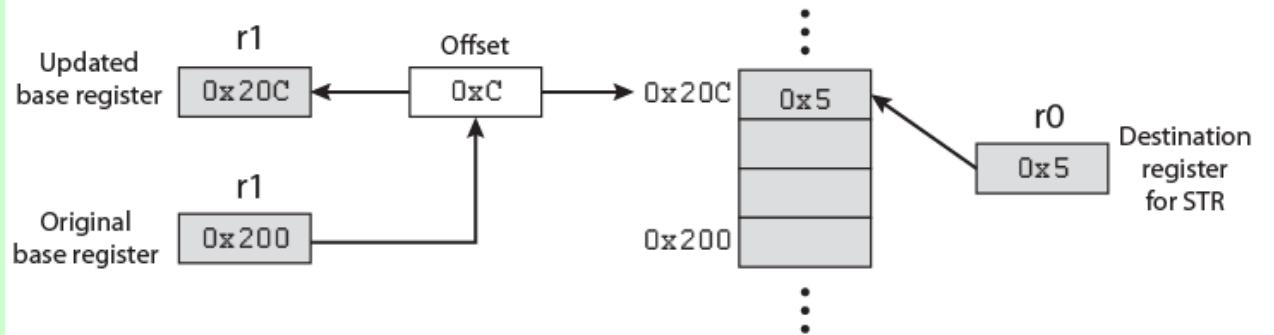
ARM Indexing Methods

STRB r0, [r1, #12]



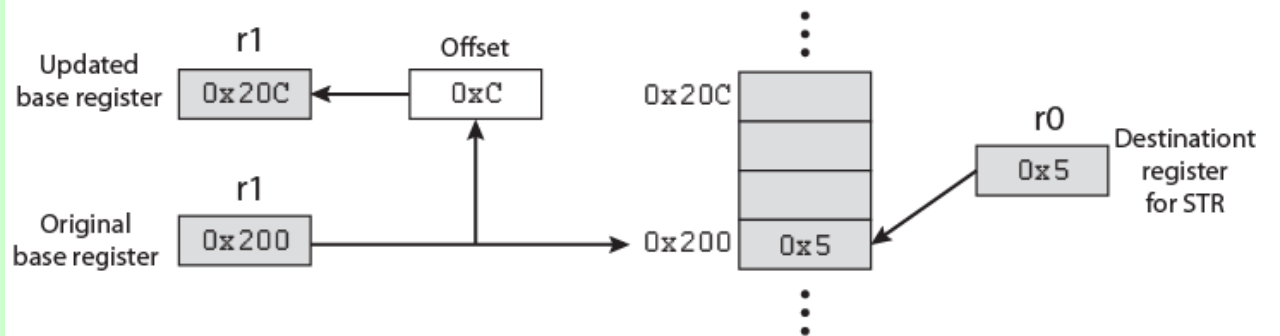
(a) Offset

STRB r0, [r1, #12]!



(b) Preindex

STRBv r0, [r1], #12



(c) Postindex

ARM Data Processing Instruction Addressing & Branch Instructions

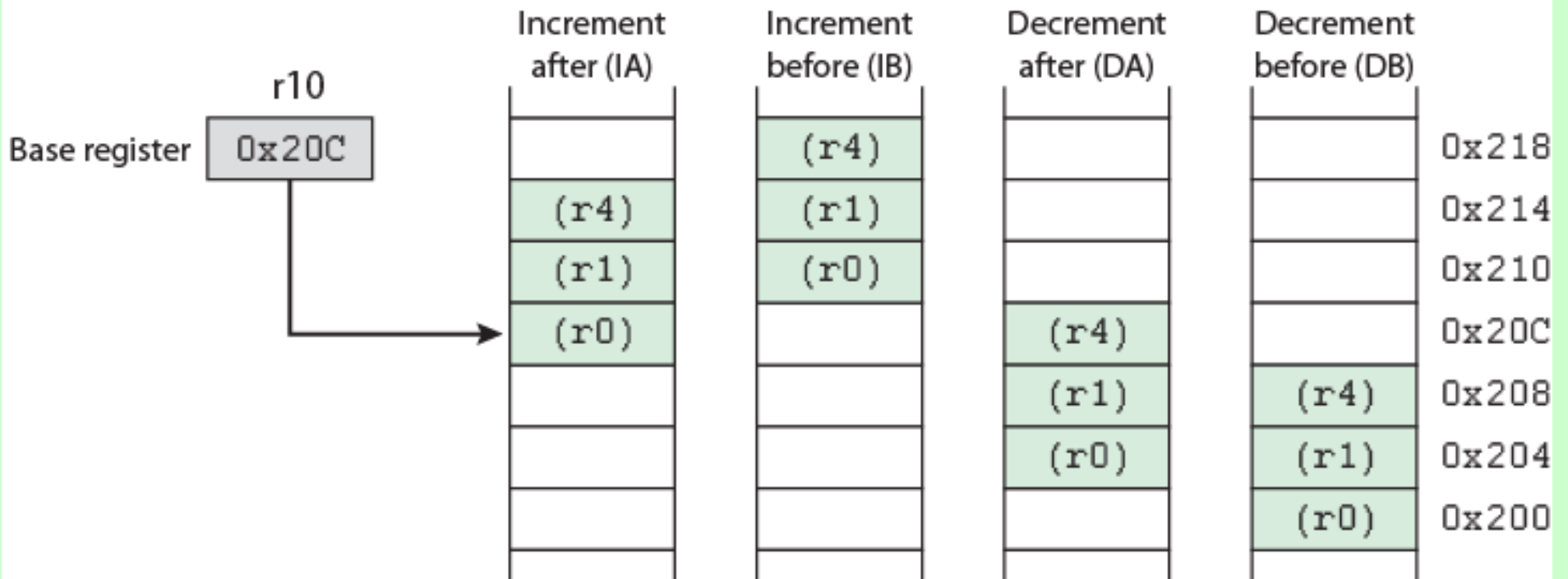
- Data Processing
 - Register addressing
 - Value in register operands may be scaled using a shift operator
 - Or mixture of register and immediate addressing
- Branch
 - Immediate
 - Instruction contains 24 bit value
 - Shifted 2 bits left
 - On word boundary
 - Effective range +/-32MB from PC.

ARM Load/Store Multiple Addressing

- Load/store subset of general-purpose registers
- 16-bit instruction field specifies list of registers
- Sequential range of memory addresses
- Increment after, increment before, decrement after, and decrement before
- Base register specifies main memory address
- Incrementing or decrementing starts before or after first memory access

ARM Load/Store Multiple Addressing Diagram

```
LDMxx r10, {r0, r1, r4}  
STMxx r10, {r0, r1, r4}
```



Instruction Formats

- Layout of bits in an instruction
- Includes opcode
- Includes (implicit or explicit) operand(s)
- Usually more than one instruction format in an instruction set

Instruction Length

- Affected by and affects:
 - Memory size
 - Memory organization
 - Bus structure
 - CPU complexity
 - CPU speed
- Trade off between powerful instruction repertoire and saving space

Allocation of Bits

- Number of addressing modes
- Number of operands
- Register versus memory
- Number of register sets
- Address range
- Address granularity

PDP-8 Instruction Format

Memory Reference Instructions



Input/Output Instructions



Register Reference Instructions

Group 1 Microinstructions



Group 2 Microinstructions



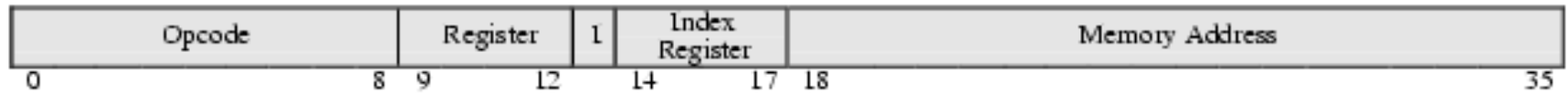
Group 3 Microinstructions



D/I = Direct/Indirect address
 Z/C = Page 0 or Current page
 CLA = Clear Accumulator
 CLL = Clear Link
 CMA = CoMplement Accumulator
 CML = CoMplement Link
 RAR = Rotate Accumulator Right
 RAL = Rotate Accumulator Left
 BSW = Byte SWap

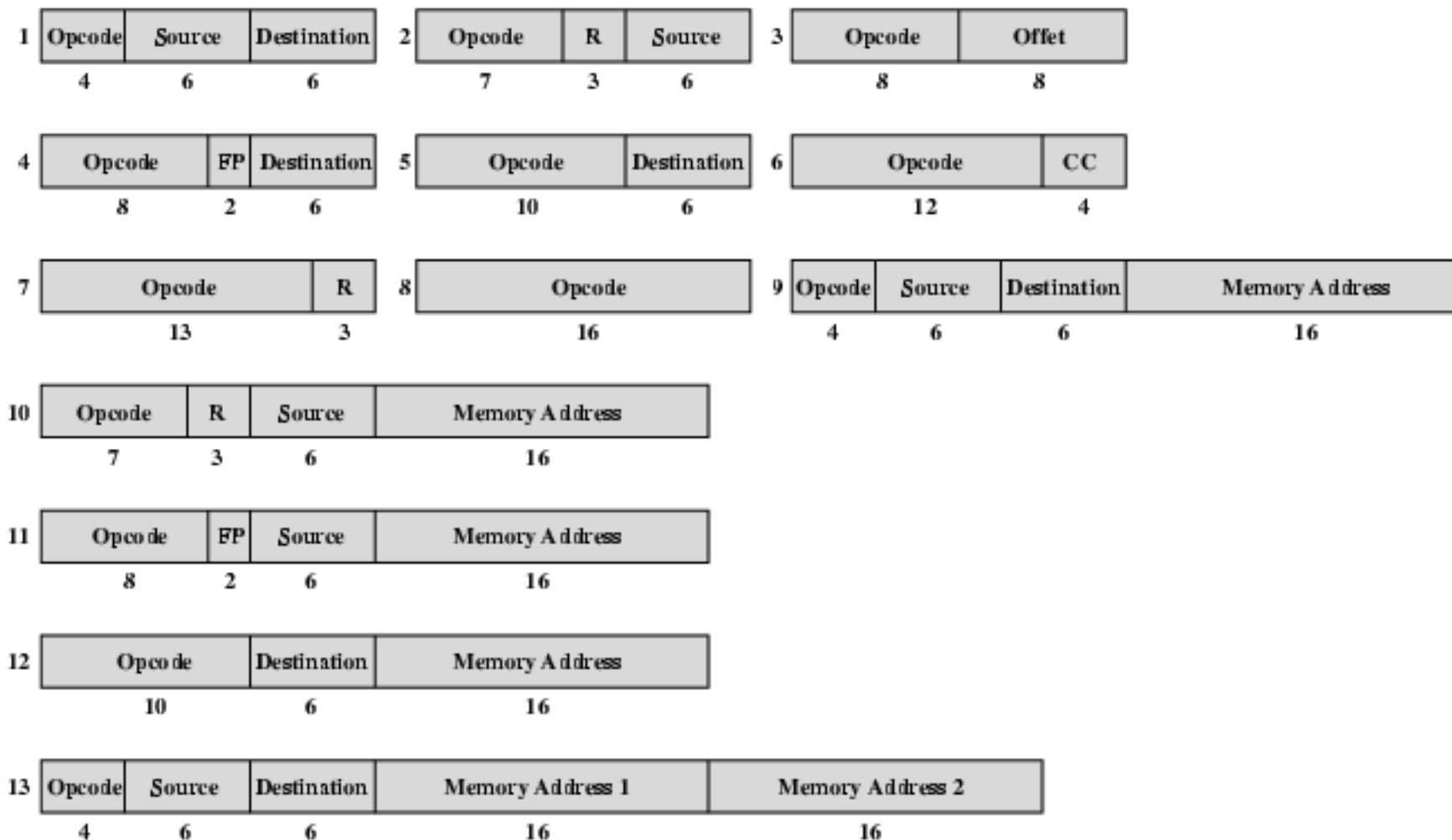
LAC = Increment ACcumulator
 SMA = Skip on Minus Accumulator
 SZA = Skip on Zero Accumulator
 SNL = Skip on Nonzero Link
 RSS = Reverse Skip Sense
 OSR = Or with Switch Register
 HLT = HaLT
 MQA = Multiplier Quotient into Accumulator
 MQL = Multiplier Quotient Load

PDP-10 Instruction Format



I = indirect bit

PDP-11 Instruction Format



Numbers below fields indicate bit length

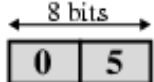
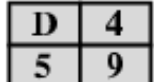

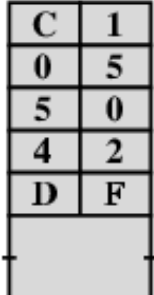
Source and Destination each contain a 3-bit addressing mode field and a 3-bit register number

FP indicates one of four floating-point registers

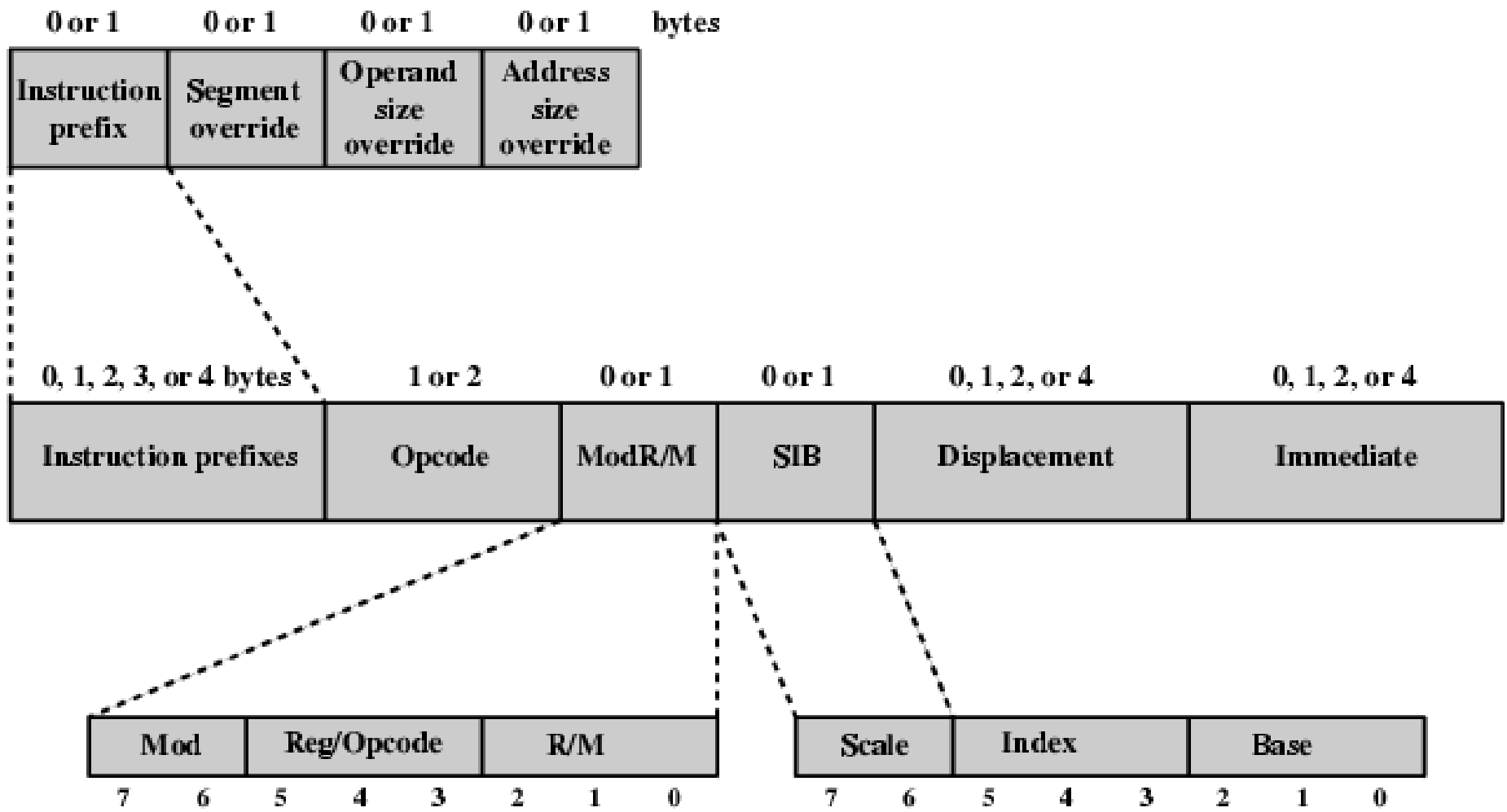
R indicates one of the general-purpose registers

CC is the condition code field

VAX Instruction Examples

Hexadecimal Format	Explanation	Assembler Notation and Description
 <p>8 bits</p>	Opcode for RSB	RSB Return from subroutine
	Opcode for CLRL Register R9	CLRL R9 Clear register R9
	Opcode for MOVW Word displacement mode, Register R4 356 in hexadecimal Byte displacement mode, Register R11 25 in hexadecimal	MOVW 356(R4), 25(R11) Move a word from address that is 356 plus contents of R4 to address that is 25 plus contents of R11
	Opcode for ADDL3 Short literal 5 Register mode R0 Index prefix R2 Indirect word relative (displacement from PC) Amount of displacement from PC relative to location A	ADDL3 #5, R0, @A[R2] Add 5 to a 32-bit integer in R0 and store the result in location whose address is sum of A and 4 times the contents of R2

x86 Instruction Format

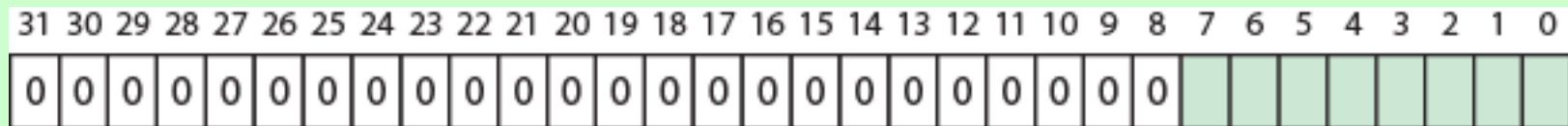


ARM Instruction Formats

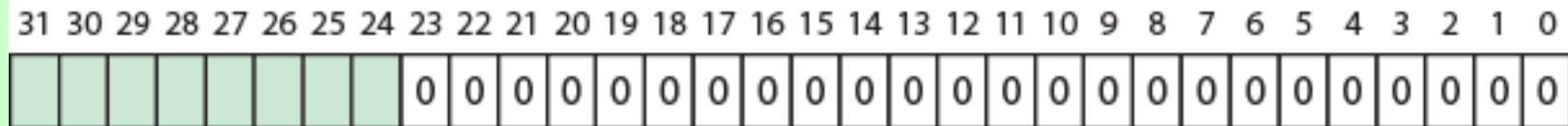
	31	30	29	28	27	26	25	24	23	22	21	20	19	18	17	16	15	14	13	12	11	10	9	8	7	6	5	4	3	2	1	0
data processing immediate shift	cond		0 0 0			opcode				S	Rn				Rd				shift amount				shift	0	Rm							
data processing register shift	cond		0 0 0			opcode				S	Rn				Rd				Rs		0	shift	1	Rm								
data processing immediate	cond		0 0 1			opcode				S	Rn				Rd				rotate				immediate									
load/store immediate offset	cond		0 1 0			P	U	B	W	L	Rn				Rd				immediate													
load/store register offset	cond		0 1 1			P	U	B	W	L	Rn				Rd				shift amount				shift	0	Rm							
load/store multiple	cond		1 0 0			P	U	S	W	L	Rn				register list																	
branch/branch with link	cond		1 0 1			L	24-bit offset																									

- S = For data processing instructions, updates condition codes
- S = For load/store multiple instructions, execution restricted to supervisor mode
- P, U, W = distinguish between different types of addressing_mode
- B = Unsigned byte (B==1) or word (B==0) access
- L = For load/store instructions, Load (L==1) or Store (L==0)
- L = For branch instructions, is return address stored in link register

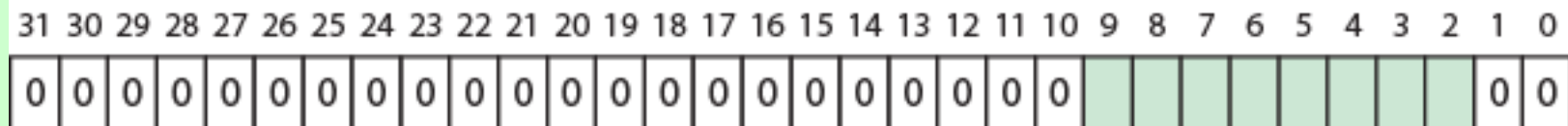
ARM Immediate Constants Fig 11.11



ror #0 - range 0 through 0x000000FF - step 0x00000001



ror #8 - range 0 through 0xFF000000 - step 0x01000000



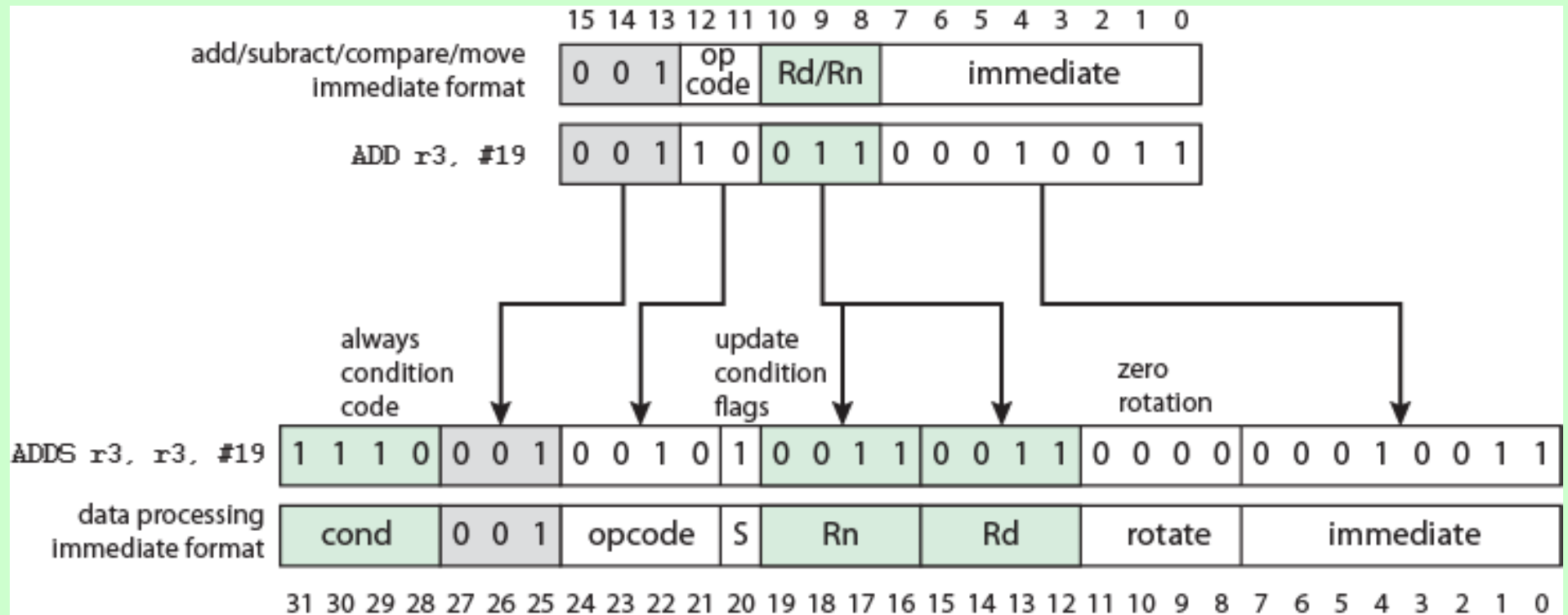
ror #30 - range 0 through 0x000003FC - step 0x00000004

Thumb Instruction Set

- Re-encoded subset of ARM instruction set
- Increases performance in 16-bit or less data bus
- Unconditional (4 bits saved)
- Always update conditional flags
 - Update flag not used (1 bit saved)
- Subset of instructions
 - 2 bit opcode, 3 bit type field (1 bit saved)
 - Reduced operand specifications (9 bits saved)

Expanding Thumb ADD Instruction to ARM

Equivalent Fig 11.12



Assembler

- Machines store and understand binary instructions
- E.g. $N = I + J + K$ initialize $I=2, J=3, K=4$
- Program starts in location 101
- Data starting 201
- Code:
- Load contents of 201 into AC
- Add contents of 202 to AC
- Add contents of 203 to AC
- Store contents of AC to 204
- Tedious and error prone

Improvements

- Use hexadecimal rather than binary
 - Code as series of lines
 - Hex address and memory address
 - Need to translate automatically using program
- Add symbolic names or mnemonics for instructions
- Three fields per line
 - Location address
 - Three letter opcode
 - If memory reference: address
- Need more complex translation program

Program in: Binary

Hexadecimal

Address		Contents		
101	0010	0010	101	2201
102	0001	0010	102	1202
103	0001	0010	103	1203
104	0011	0010	104	3204
201	0000	0000	201	0002
202	0000	0000	202	0003
203	0000	0000	203	0004
204	0000	0000	204	0000

Address		Contents
101		2201
102		1202
103		1203
104		3204
201		0002
202		0003
203		0004
204		0000

Symbolic Addresses

- First field (address) now symbolic
- Memory references in third field now symbolic
- Now have assembly language and need an assembler to translate
- Assembler used for some systems programming
 - Compilers
 - I/O routines

Symbolic Program

Address	Instruction	
101	LDA	201
102	ADD	202
103	ADD	203
104	STA	204
201	DAT	2
202	DAT	3
203	DAT	4
204	DAT	0

Assembler Program

Label	Operation	Operand
FORMUL	LDA	I
	ADD	J
	ADD	K
	STA	N
I	DATA	2
J	DATA	3
K	DATA	4
N	DATA	0

Foreground Reading

- Stallings chapter 11
- Intel and ARM Web sites